

April 2013

## Retrofit Kit for Sealing Belt Unit

Dear customer,

The functioning and safety of the vertical sealing belt unit at your **continuous** ROVEMA form, fill and seal machine can be significantly improved with a retrofit kit. The heat protection will avoid injuries during maintenance and set-up work caused by hot sealing areas. The adjusting unit facilitates the fine tuning of the position of the sealing belt unit by a mechanical stop and the kit for a conversion to grooved drive rolls and pulleys prevents the deflection of the sealing belt.

### The retrofit kit for the sealing belt unit offers you:

- protection for operators and maintenance personal against burns during maintenance and set-up work
- exactly adjustable mechanical stop for an optimal setting of the sealing pressure and the distance to the vertical film seal
- higher operational reliability and more smoothness of the sealing belt due to grooved rolls and thus lateral guiding of the sealing belt

### The retrofit kit contains:

- heat protection with cover plate made out of stainless steel, hinge with locking mechanism and holder
- exactly adjustable stop for sealing belt unit for an assembly to the cylinder pistons and for the mechanical limitation of the lift
- conversion kit with grooved rolls and new brass sealing insert
- set of heating cartridges and temperature feelers as well as 10 sealing belts

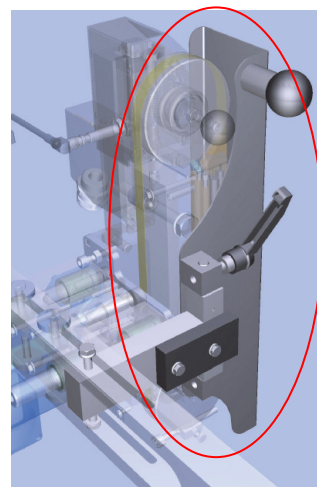
### Cost for a retrofit kit:

- retrofit kit for sealing belt unit = 1.950 €

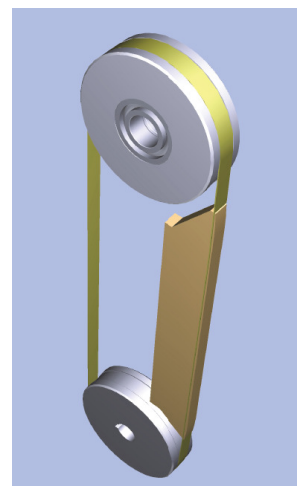
We will gladly prepare an offer for installation and commissioning of the retrofit kit on site at your ROVEMA machine (duration approx. 1 day). A retrofit for sealing belt units in special execution will be offered on request, execution and price of the retrofit may differ.

For more information about the retrofit kit for the sealing belt unit or in case of questions regarding your ROVEMA packaging machine, your contact persons at ROVEMA Service are always at your disposal.

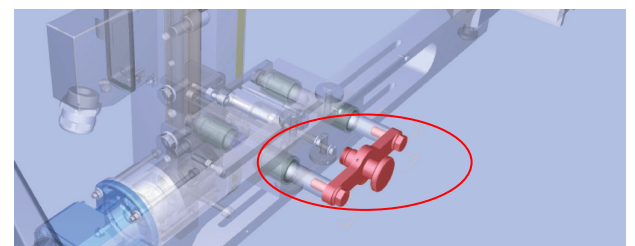
Your ROVEMA Service Team



*heat protection for sealing belt unit*



*grooved rolls, sealing insert and sealing belt*



*stop for sealing belt unit*