

July 2013

Revolver Adjustment for Stabilo Seal® Device

Dear customer,

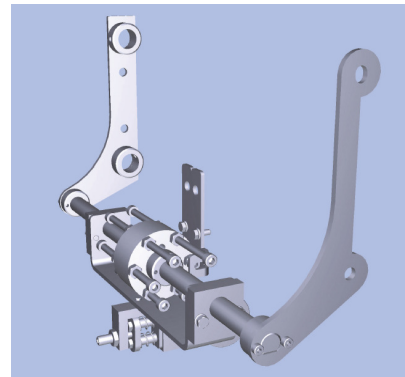
For quite some time one has been able to observe a trend in the market towards an increasing product diversity and constantly decreasing batches. This requires frequent, fast and precise format changes.

Adjustments and format changes are demanding and time-consuming, especially when it comes to Stabilo Seal® bags. In this context our new adjusting aid for Stabilo Seal® devices offers you a lucrative saving of time and ensures a high reproducibility.

The ROVEMA revolver adjustment with up to 6 preset stop positions for Stabilo Seal® sealing jaws enables a fast and precise format adjustment at the Stabilo Seal® tools. Thereby the system offers a considerable reduction of changeover time as well as a high reproducibility.

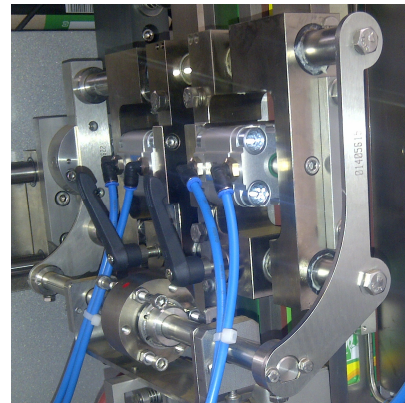
The revolver adjustment offers you:

- considerable reduction of changeover time
- high reproducibility
- higher process reliability
- more technical flexibility
- up to 6 preset stop positions for the bag depth
- always precise positioning for the bag width



The retrofit kit „revolver adjustment“ consists of:

- stop Stabilo Seal® left side front and back
- stop Stabilo Seal® right side front and back
- stops for bag width
- mounting material
- operating manual



*view Stabilo Seal® device with
revolver adjustment left side*

Cost for a retrofit kit:

- revolver adjustment for Stabilo Seal® device = **5.900 €**

We will gladly prepare an offer for installation and commissioning on site (duration approx. 2 days plus travel time) at your ROVEMA machine.

For more information about the revolver adjustment for Stabilo Seal® devices or in case of further questions regarding your ROVEMA packaging machine your contact persons at ROVEMA Service are always at your disposal.

Your ROVEMA Service Team